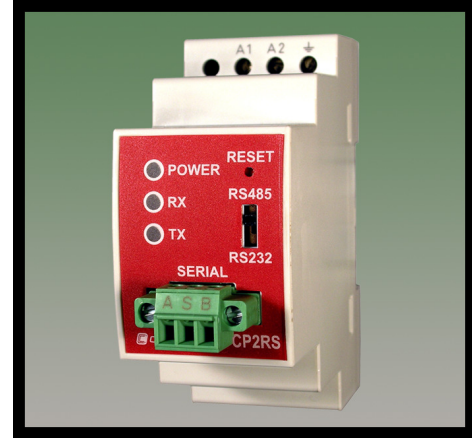
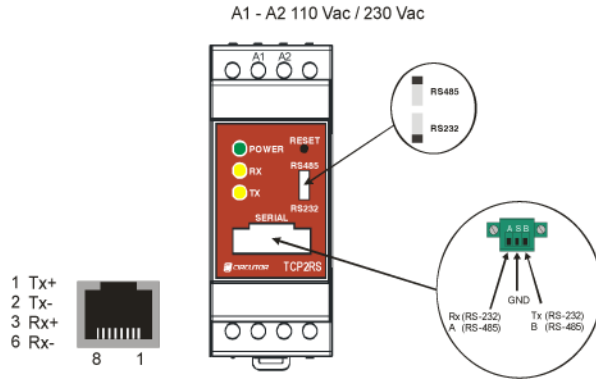




RS485 – Ethernet TCPIP Converter

CONNECTIONS



TECHNICAL FEATURES

Power supply

Input voltage 110 Vac / 230 Vac +/-15%
Power 2 VA
Frequency 50 / 60 Hz

Network interface

Interface Ethernet 10Base-T / 100Base-TX (auto-sensing)
Connector RJ45
Protocols TCP/IP, UDP/IP, ARP, ICMP, SNMP, TFTP, DHCP, BOOTP, http & AutoIP

Serial Interface

Interface RS-232 or RS-485 (hardware selectable)
Data rates Software selectable

Indicators (LED)

POWER Power supply
RX / TX RS-232 or RS-485 signal

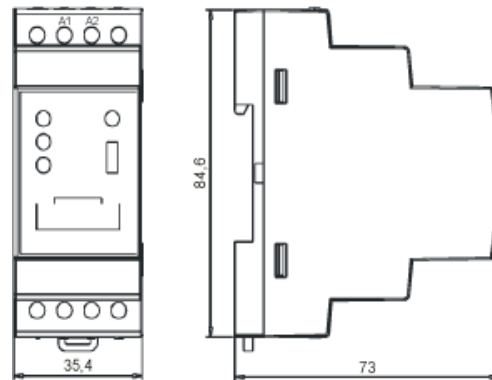
Environmental

Working temperature 0 °C to +60 °C
Protection IP20

Dimensions

Dimensions 35,4 x 84,68 x 73 mm

DIMENSIONS



Converter TCP2RS

Converter of RS-232 / 485 to Ethernet modbus

Description

- Converter of the RS-232 or RS-485 network protocol to Ethernet
- Power supply 85...265 Vac / 115...374 V dc
- Ethernet speed: 10/100 BaseTX
- RS Bus transmission speed: 1200 bps to 115200 bps

Application

Converting RS-232 or RS-485 signals to Ethernet or viceversa

References

Type	Code
TCP2RS-RTU, converter of RS-232/485 to transparent Ethernet (TCP or UDP)	M54031
TCP2RS, converter of RS-232 / 485 to Ethernet modbus/TCP	M54032